



THERMORY
Excellence in Wood

THERMORY ASH PACS[®] SHINGLES

PROFILE: S2-E (SHINGLE PANEL)

The resawn surface and a vibrant texture of Thermory Ash Shingles add a trendy wallcovering to your interior and exterior design. Thermory Ash has Class 1 durability, offering higher dimensional stability compared to unmodified wood.

The combination of Thermory PaCS[®] and shingle panels offers a superior solution for an eye-catching result with the easiest installation possible. The shingle panels can be pressed and clicked into place with ease. This considerably reduces installation time, provides adequate air circulation and makes the wallcovering last significantly longer.

Responsibility

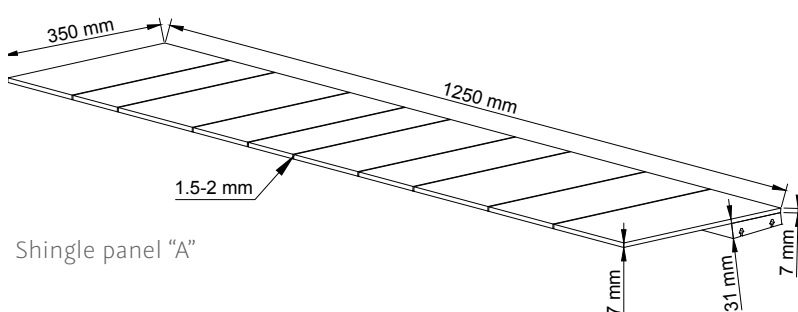
- Chemical-free thermal modification process
- Sourced from well-managed forests
- No rainforest wood
- No plastics
- No toxic waste

Color & Beauty

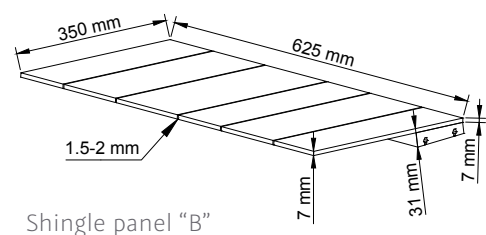
- Thermory Ash has rich brown color through full thickness
- Naturally ages to a platinum grey
- Preserve the original tone with UV protectant oil
- Variations in color are natural

GENERAL SPECIFICATIONS:

THICKNESS OF PANEL:	31 mm
WIDTH OF PANEL:	350 mm
COVERING WIDTH:	167 mm
LENGTH OF PANEL "A":	1250 mm
LENGTH OF PANEL "B":	625 mm
BUNDLING:	approx. 48 m ² /euro-pallet (gross)
ONE PALLET COVERS:	approx. 23.6 m ²
SHINGLE CLAD:	2 m in length; 22 JuAn [®] clips per clad



Shingle panel "A"



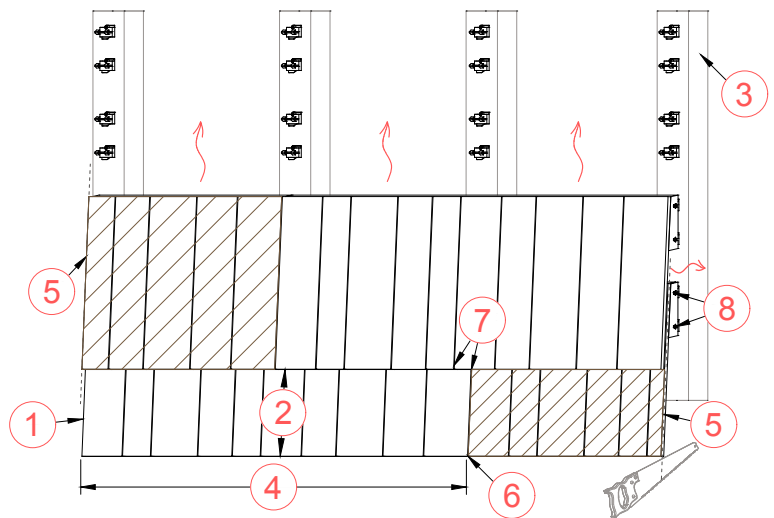
Shingle panel "B"

Installation:

The shingle panels use a PaCS® solution: Shingle CLAD batten with pre-mounted 22 JuAn® clips is attached to the wall, which allows shingle panels to be easily clicked into place.

Ventilation: It is important to ensure adequate air circulation underneath the shingles in order to enhance their durability, drainage and energy efficiency. The PaCS® Thermory Pine profile batten has been cut at an angle to ensure drainage of excess moisture.

1. Always begin installation from the bottom left corner and move upward.
2. In order to calculate the number of shingle panels to be installed:
 - a. measure the surface area and divide it by the area covered by a shingle panel;
 - b. adjust the exposure to even the courses;
 - c. the fix exposure of the panel is 50%.
3. Install Shingle CLAD battens vertically.
4. The first course starts with a long panel "A".
5. After that, either:
 1. use the shingle panel "B" to start the second row and end the half-lines;
 2. or cut the whole panel "A" in half with a hand saw and use the following rule:
 - 2.1. the right side of the shingle panel is the first panel of the even courses and is followed by the long panel.
 - 2.2. the left side of the shingle panel is the last panel of the odd courses.
6. The shingle panel has 1.5-2mm gap between the shingles so the wood has room to expand.
7. Always offset the joints of successive shingle courses. The same applies to shingle imperfections and wood defects, which should not be positioned under the joints.
8. Shingle panels can be installed by pressing them down onto the pre-installed JuAn® clips on the Shingle CLAD batten.



Last version: May 2018
All previous versions are null and void.

The information given above is not intended to supersede local codes.

THERMORY®

Excellence in Wood

Decking

Cladding

Flooring

Sauna

www.thermory.com

info@thermory.com